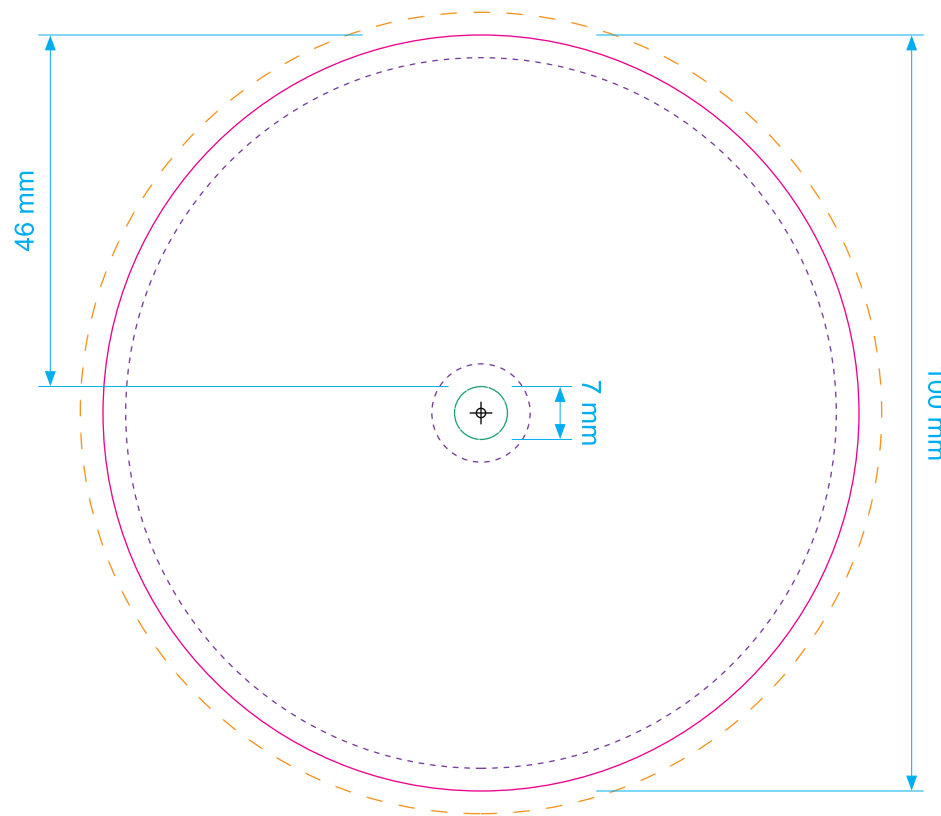
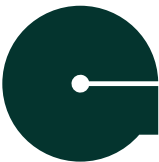


GREEN LAKES PRESSING

10" Center Label



 GREEN LAKES PRESSING	LEGEND	IMPORTANT INFORMATION
	<p>— CUT LINE</p> <p>- - - BLEED LINE</p> <p>- - - SAFETY LINE</p> <p>← → MEASUREMENT</p>	<p>Please note this is a die-cut template. Outer solid pink line is the actual cut line. All art should extend to the outer bleed lines. Keep all important text and logos within safety line. All measurements are in millimeters. All CMYK (no RGB) images must be 300 d.p.i. or higher. All text must be converted to outlines or rastered. Total ink coverage should not exceed 320%. Do not flatten template to artwork.</p>

- Make sure your design extends to the outside edge of the Bleed Area to avoid white borders around your print.
- The trim line indicates the edge of your final print.
- To avoid any essential items being cut off, keep text and critical design elements inside the Safety Area.

To prevent errors and ensure the fastest turnaround time of your product, it is essential that all artwork is prepared correctly. If you have any questions about the templates or how to use them, please contact your sales representative before designing.